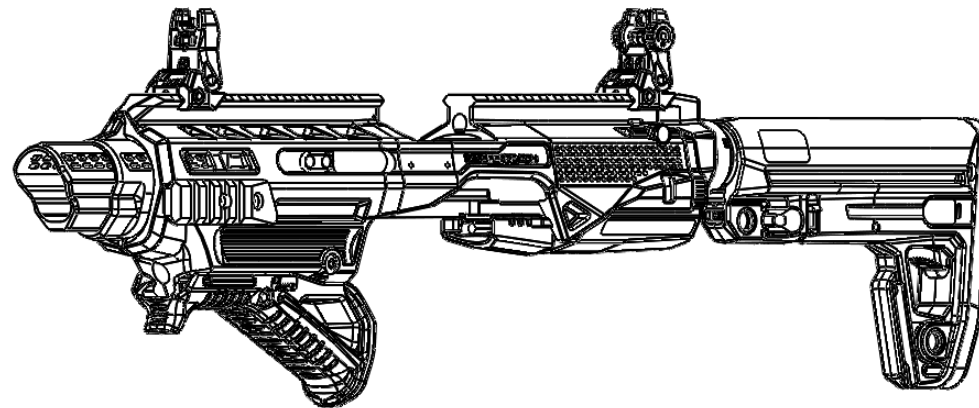




# KIDON<sup>®</sup>

# PISTOL CONVERSION KIT

OWNER'S MANUAL





Congratulations on purchasing our Kidon® modular pistol conversion kit. We hope you enjoy our advanced and revolutionary products.

We, at IMI DEFENSE, are always looking for new and innovative ways to improve and ease the operator's interface with our products. The new folding stock along with the new adapters sets are just a few of many advantages we implemented in our Kidon® modular pistol conversion kit. If you have any questions / concerns, please don't hesitate to reach out to us via:

E-mail ([marketing@imidefense.com](mailto:marketing@imidefense.com))  
or phone (+972 77 5321622)

**STAY SAFE, STAY TACTICAL**

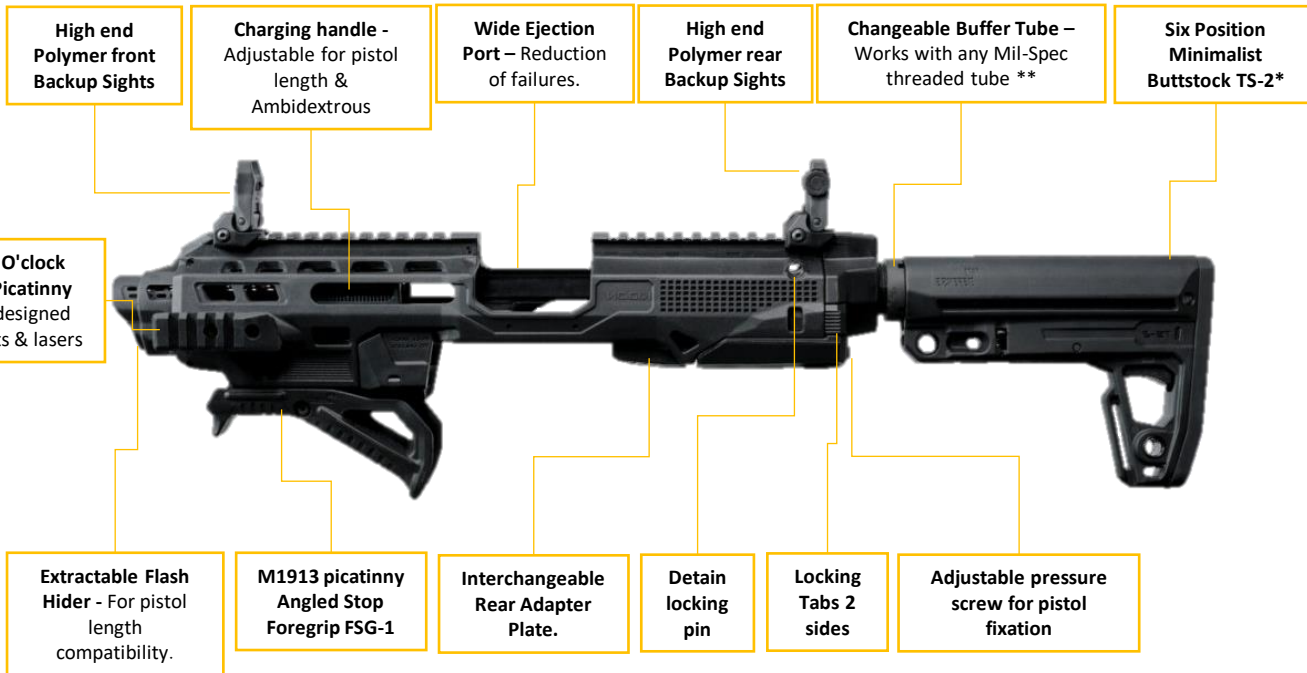


# PLEASE PRACTICE SAFE HANDLING!



- **NFA RULES:** Federal U.S.A laws which regulate the sale and possession of certain weapons including Machine Guns, Suppressors, Short Barreled Shotguns, Destructive Devices & AOW.
- **WARNING:** HANDLE THE Kidon® AS A LOADED FIREARM. CARELESS OR IMPROPER HANDLE COULD RESULT IN UNINTENTIONAL DISCHARGE AND COULD CAUSE INJURY, DEATH, OR DAMAGE TO PROPERTY.
- **CAUTION:** CAREFULLY READ THIS DOCUMENT PRIOR TO LOADING AND FIRING THE Kidon®. FOLLOW ALL INSTRUCTIONS ON PROPER HANDLING AND SAFE USE OF THIS SYSTEM - LIVES MAY DEPEND ON IT! If unfamiliar with firearms, seek further advice through safe handling courses run by your local gun clubs, approved instructor or similar qualified organizations.
- If you are not qualified to properly disassemble the Kidon® conversion kit, please contact [www.imidefense.com](http://www.imidefense.com) or your local gunsmith for assist.
- IMI Defense is not responsible for any damage as a result of modifying/disassembling the Kidon®.

# Kidon® Features and Spec Information



## Kit contains:

- Kidon® Universal Pistol Conversion Kit
- IMI Defense AR15/M16 Mil-Spec 6 position TS-2 Buttstock
- IMI Defense polymer flip up sights – Rear and Front
- IMI Defense FSG1 Front Support Grip
- Provided with a special bag
- Allen key
- Sling
- QD Port
- Owner's Manu
- Available in Black, O.D. Green, and Desert Tan.
- Made in Israel



## SIZE:

Height: 185 mm (7.30") – in sight open position.  
160 mm (6.30") – in sight closed position.  
Wide: 85 mm (3.35").  
Length: 620 mm (24.40") - in stock open position.  
700 mm (27.55") – in stock closed position

## WEIGHT:

2950 gr. (no pistol).

\*Please visit our website for more Stock (folding, QD cap) options [www.imidefense.com](http://www.imidefense.com)

\*\* Please check with local firearm regulator for any restrictions.

# Compatible Pistols



Adapter name	item number	Compatible pistols
<b>K-1</b>	KIDON-K1	<b>Glock</b> 17/19/20/22/23/25/29/30/31/32/36/38/45 Pistols (Gen 3, Gen 4 and Gen 5 Compatible) <b>Honor guard</b> HG9SCLSMST / HG9SCLS
<b>K-2</b>	KIDON-K2	<b>CZ</b> 75 With rails.
<b>K-3</b>	KIDON-K3	<b>CZ</b> 75 Duty, P-07, P-09, P-09 .22 LR, 75 01 Omega, CZ SP-01 Shadow 1, Shadow 2.
<b>K-4</b>	KIDON-K4	<b>Jericho</b> Steel Frame -with & without Picatinny rail (adapter provided), Fits all lengths
<b>K-5</b>	KIDON-K5	<b>Jericho</b> Polymer frame - Fits all lengths <b>Sig Sauer</b> P320 X5 (front sight must be removed)
<b>K-6</b>	KIDON-K6	<b>Sig Sauer</b> P226, P226 MK25, P226 Nitron, 227, 229, 229 Combat, SP2022
<b>K-7</b>	KIDON-K7	<b>Sig Sauer</b> P250, P320 (all lengths), 220 <b>Grand Power</b> - ST 380   Q1   XCALIBUR   K100MK12   P1 MK12   P11   K22 X-TRIM MK12   K22 MK12   Q100 <b>Tanfoglio</b> Force Police
<b>K-8</b>	KIDON-K8	<b>H&amp;K</b> P-2000 FS
<b>K-9</b>	KIDON-K9	<b>Beretta</b> 92-A1, 96-A1, M9-A1
<b>K-10</b>	KIDON-K10	<b>Beretta</b> PX-4
<b>K-11</b>	KIDON-K11	<b>S&amp;M M&amp;P</b> , <b>S&amp;W M&amp;P Pro 5"</b> <b>Girsan</b> - MC28 SA   MC 28 SAC   MC 28 .40SA   MC 28 SAS <b>Glock</b> - 21,34, 35, 37, 41
<b>K-12</b>	KIDON-K12	<b>Springfield</b> XD / HS2000
<b>K-13</b>	KIDON-K13	<b>FN</b> , FNP9, FNX <b>1911</b> wide beavertail (disables the rear safety)

Adapter name	item number	Compatible pistols
<b>K14</b>	KIDON-K14	<b>S&amp;W M&amp;P 2.0</b>
<b>K15</b>	KIDON-K15	<b>FN 5.7.</b>
<b>K16</b>	KIDON-K16	<b>Walther</b> PPQ 5", 4"; 9mm/.40/.45 Calibers.
<b>K17</b>	KIDON-K17	<b>H&amp;K</b> USP FS 9mm/.40 ; H&K USP Compact 9mm/.40/.45 <b>Note:</b> Comes with an adapter to the front USP accessory Rail.
<b>K18</b>	KIDON-K18	<b>Polymer 80</b> Frames PF940v2 80% – Standard   PF940Cv1 80% – Compact   PF940CL 80% – Compact Long Frame   PFC9 Compact Pistol Frame (serialized)   PFS9 Standard Pistol Frame (serialized).
<b>K19</b>	KIDON-K19	<b>1911</b> with narrow beaver tail (Colt 1911 original) also fit medium width beavertail. <b>Note:</b> Rear safety can be enabled, the pistol must have an accessory rail.
<b>K20</b>	KIDON-K20	<b>CZ</b> P10 – P10C   P10F.
<b>K21</b>	KIDON-K21	<b>CANIK</b> TP9 – TP9SF  TP9SA  TP9SF ELITE-S  TP9SF ELITE  TP9SF ELITE COMBAT.

## Important Notice:

If you can not see your firearm in this list, please contact [www.imidefense.com](http://www.imidefense.com) for assistance.

In any situation do not modify the adapters or the Kidon® to fit unlisted pistol, it may result in injury/death or damage to property.

Any modification without IMI Defense approval/ instructions will result of cancelation of warranty.



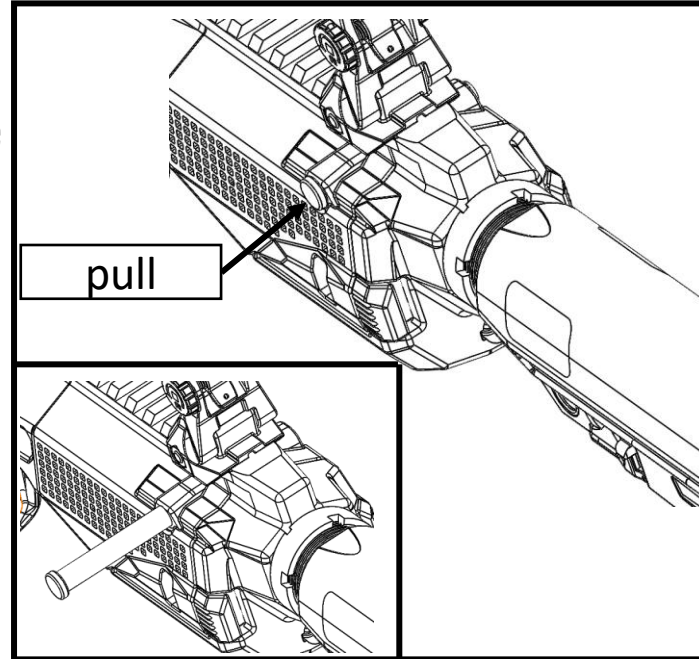
# PISTOL ASSEMBLY

# Pistol Installation



## Step 1:

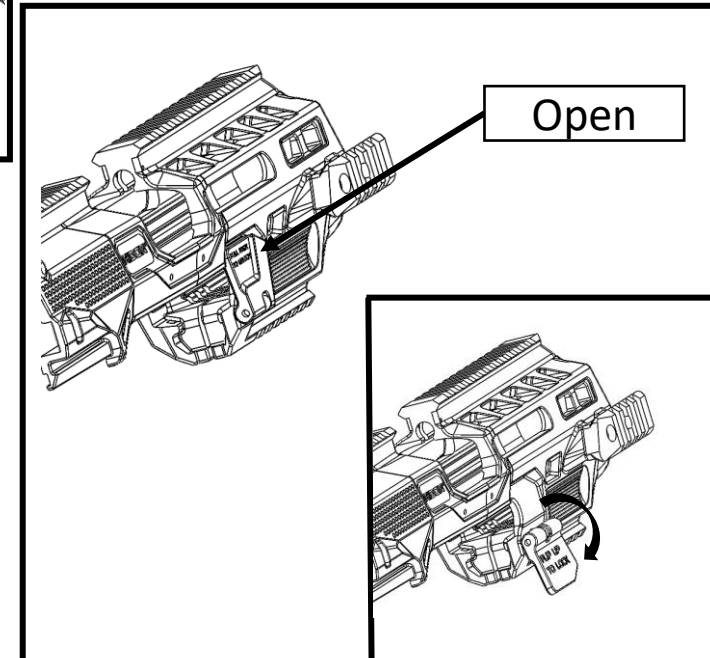
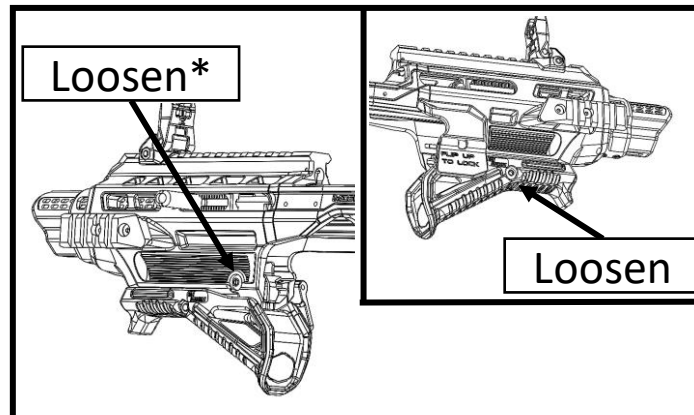
- Pull out the detain pin on the rear part of the Kidon®.
- **Do not use force**



## Step 2:

- Open the Latch on the right side of the Kidon®.

**\*If necessary, loosen the screws of the latch and the foregrip for easy installation (do not forget to tighten them after pistol installation).**

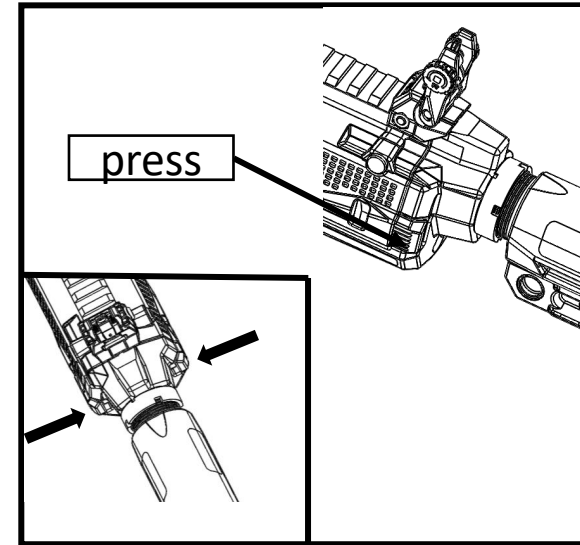


# Pistol Installation



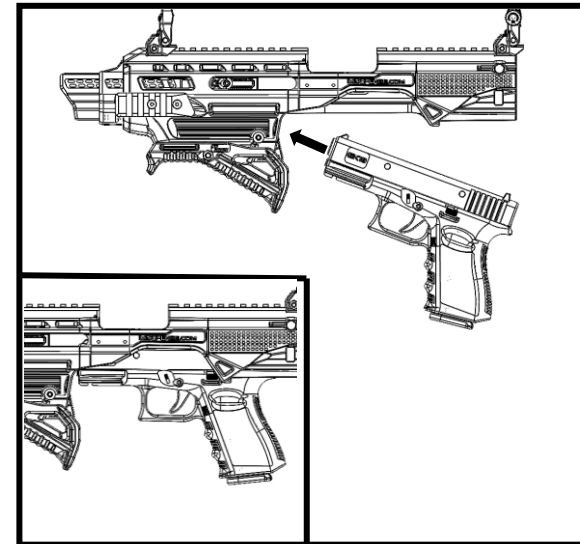
## Step 3:

- Press on both tabs to release the rear part and disassemble it.
- **Please remember disarming the pistol before installing the rear section.**
- **If the rear part is already removed, please move to the next step.**



## Step 4:

- Insert the pistol in an angle and align the front rail adapter.



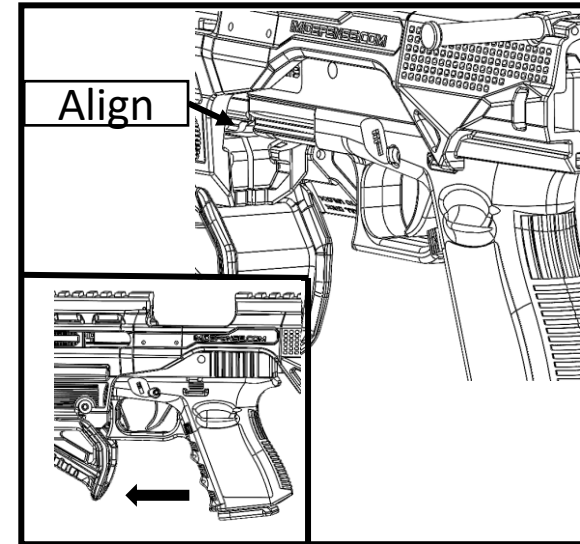


# Pistol Installation



## Step 5:

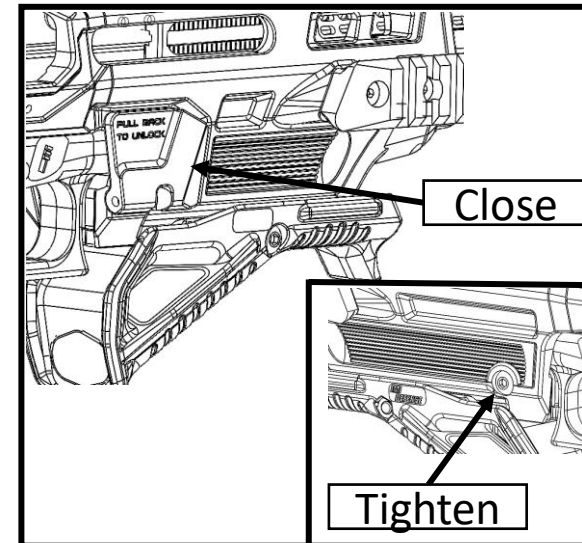
- Push the pistol until it stops on the trigger guard (if necessary, move the front support grip (FSG1) forward).



## Step 6:

- Close the side latch.
- If necessary, tighten the screw to lock the pistol in place.

**\*Make sure the pistol can be removed after tightening the screw (with the latch open)**

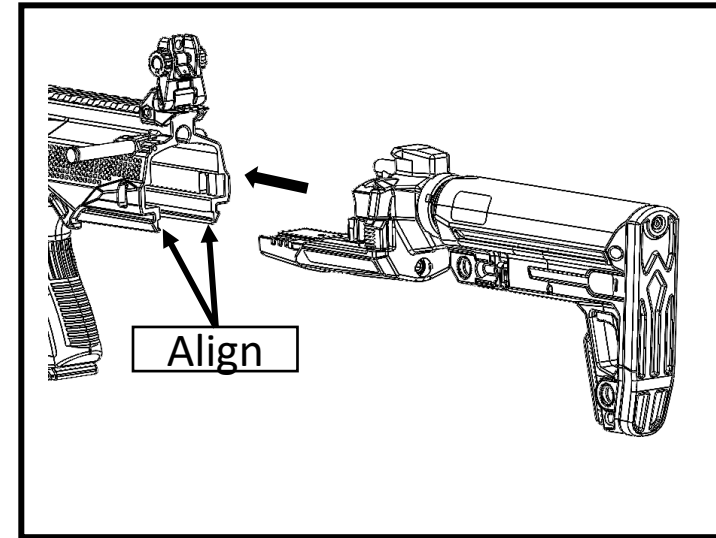


# Pistol Installation



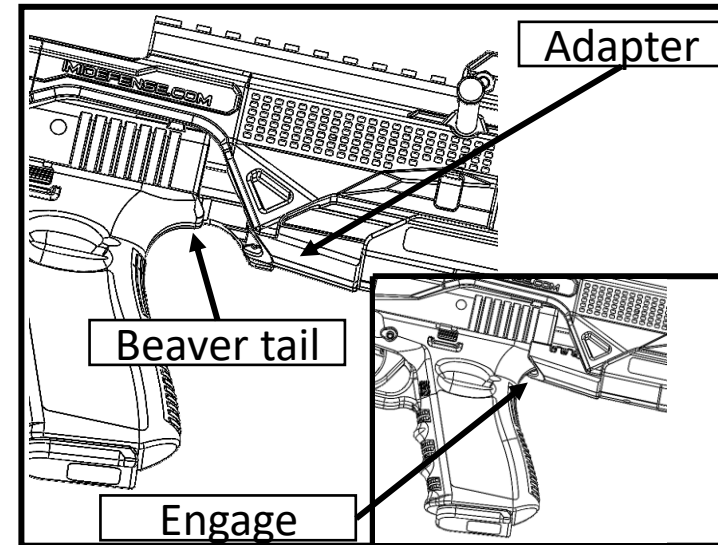
## Step 7:

- Insert the rear section by aligning with side rails



## Step 8:

- Engage the beaver tail of the pistol with the adapter plate.
- **If needed push the pistol Manually**

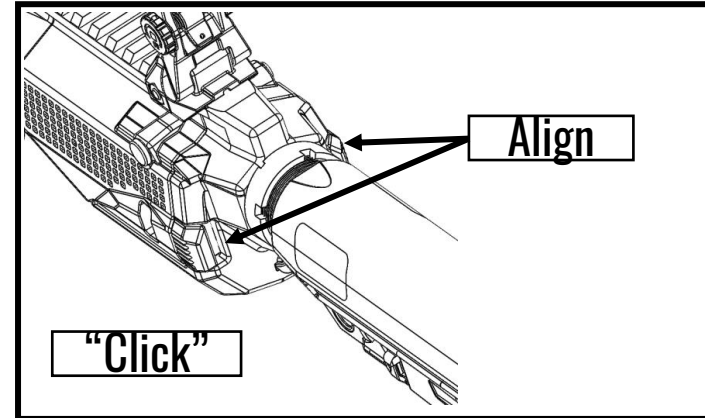


# Pistol Installation



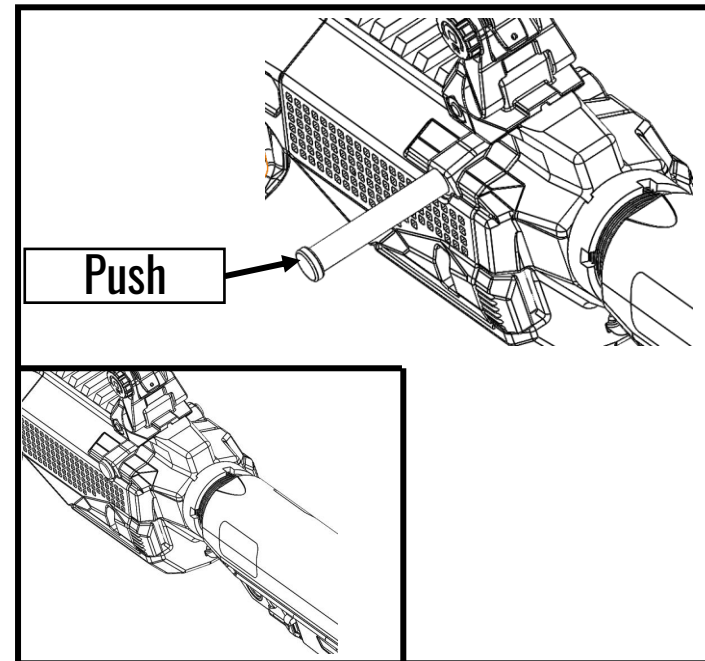
## Step 9:

- Push the rear section until you hear two “Clicks”.
- **If needed push with a little pressure**



## Step 10:

- Push out the detain pin on the rear part of the Kidon®.
- **Do not use force, press on the Kidon® from the stock to release pressure on the pin**





# **KIDON<sup>®</sup> ADJUSTMENTS**

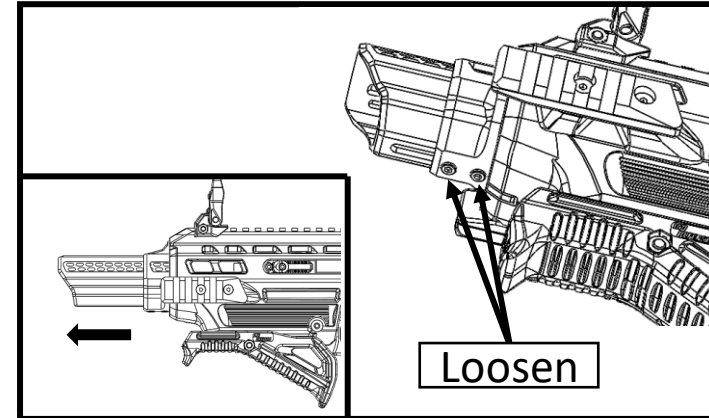
# Kidon® Adjustments



## Charging handle & flash hider adjustment:

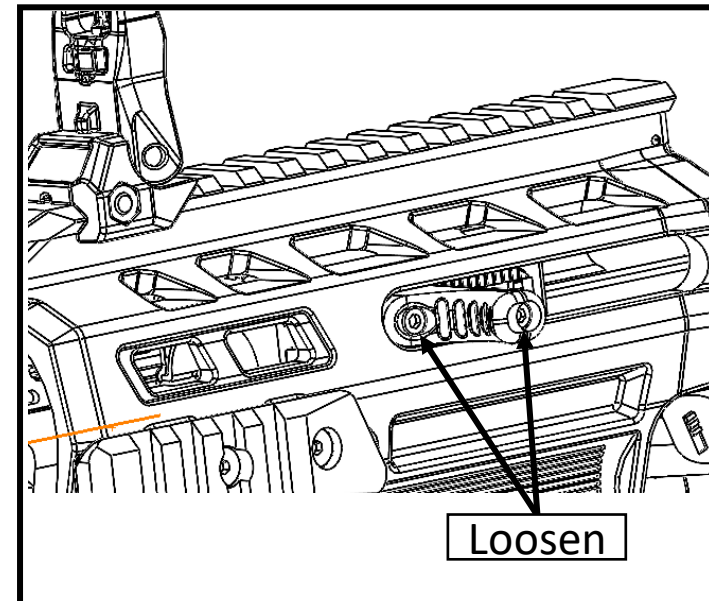
### Step 1:

- Loosen the screws of the flash hider and move it forward



### Step 2:

- Loosen the screws that hold the charging handle.
- **Do not remove them completely**

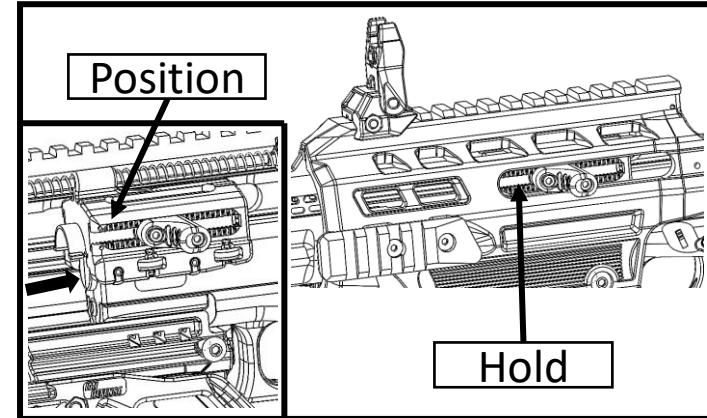


# Kidon® Adjustments



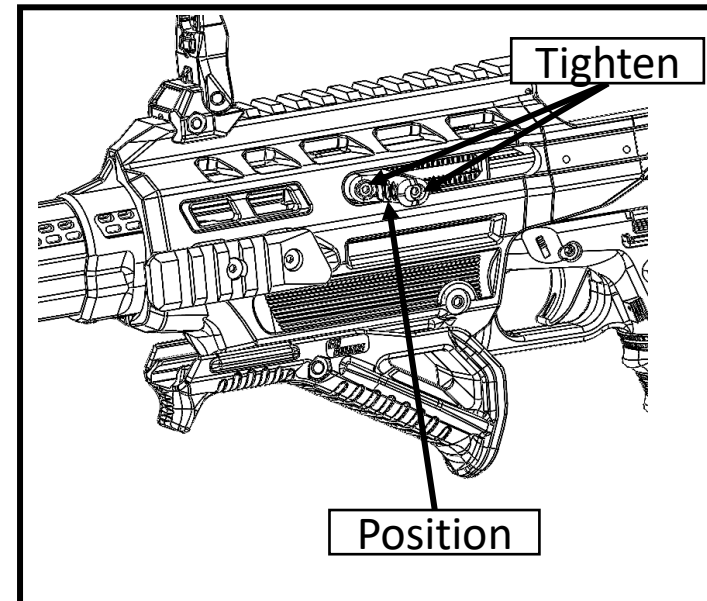
## Step 3:

- Hold the charging mechanism close to the slide (not the handle), so it will be as close as possible but **won't touch** the slide.



## Step 4:

- Position the charging handle as close as possible to the front of the slot and tighten the screws.
- \* **Moving the handle forward shortens the barrel length, moving backward extends the length**

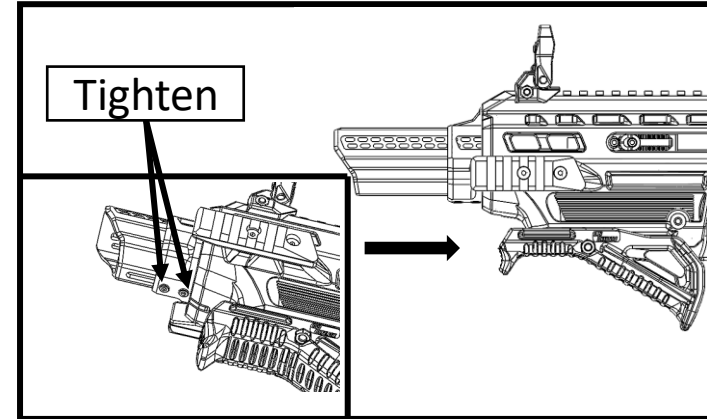


# Kidon® Adjustments



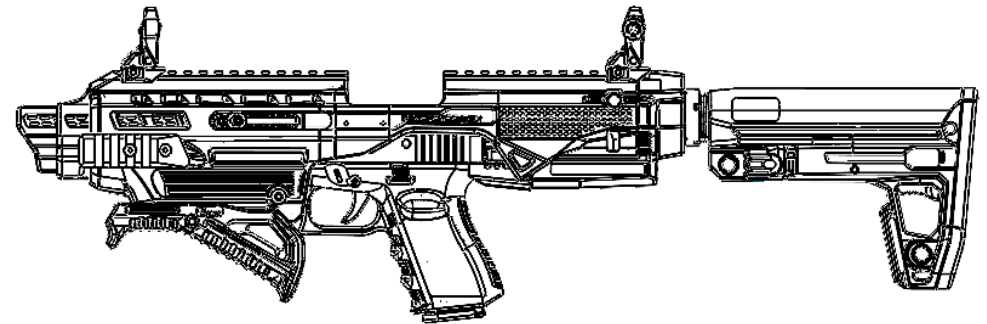
## Step 5:

- Position the flash hider back, so it will be as close as possible but **won't touch** the charging mechanism.
- Tighten the screws



## Step 6:

- Check for functionality.
- **See if the slide moves all the way back and locks back in**
- **Make sure there is no magazine in the pistol**



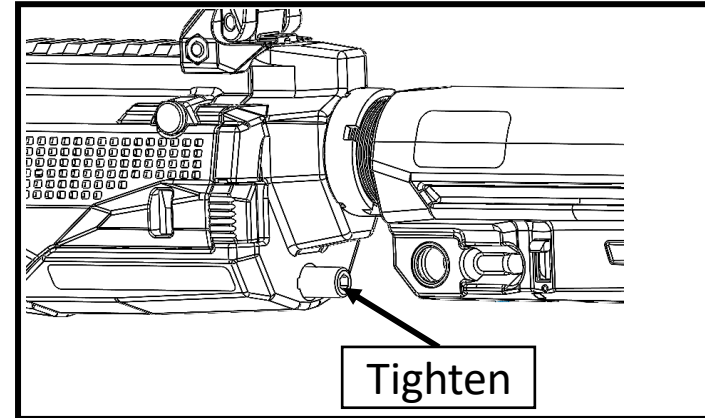
# Kidon® Adjustments



## Tension screw adjustment:

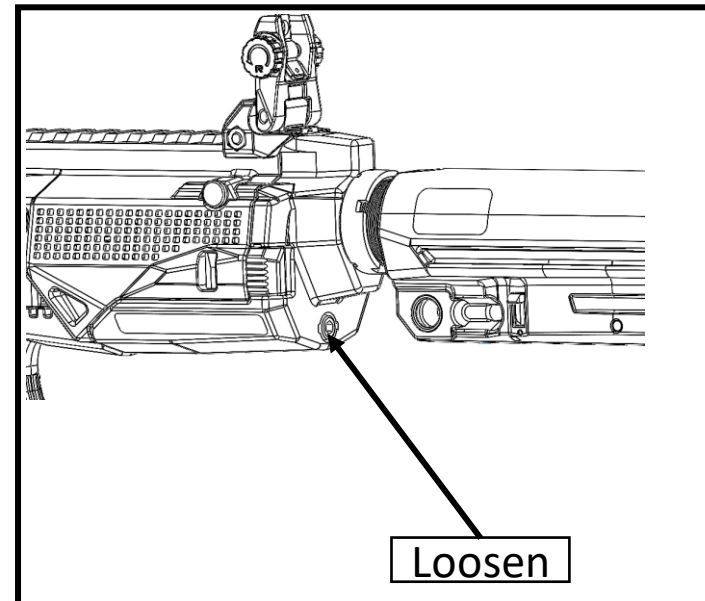
### Step 1:

- Tighten the screw all the way.



### Step 2:

- Loosen the screw 3-2 turns.
- Make sure the pistol is on the rear adapter plate.
- Check the pistol not moving.





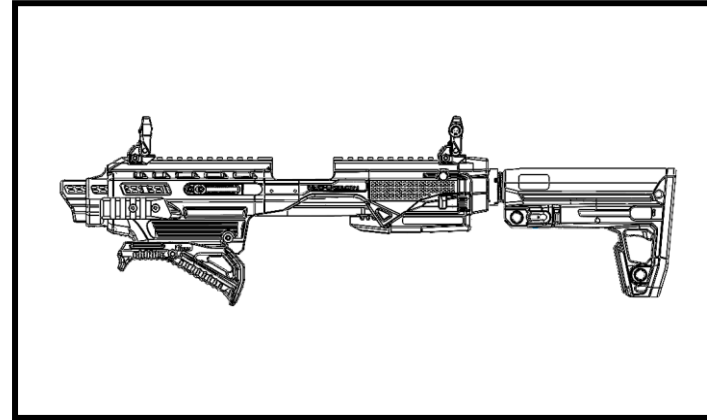
# Kidon® Adjustments



## Charging Handle position Change:

### Step 1:

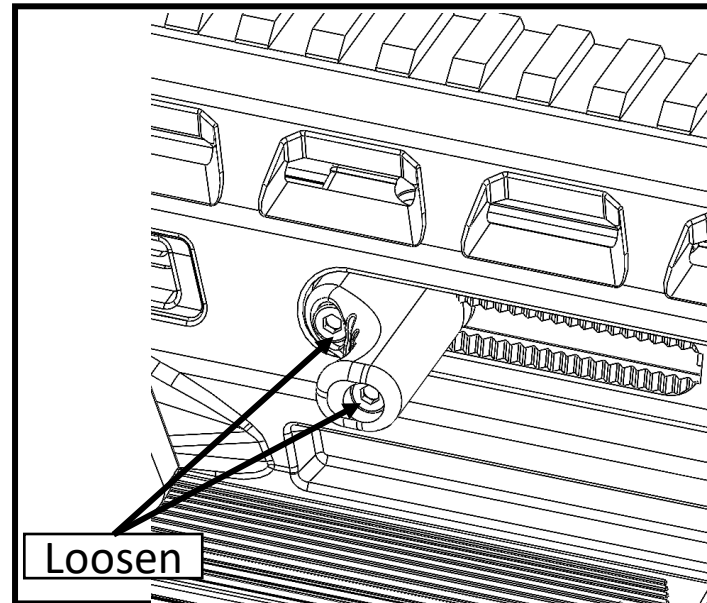
- **Remove the Pistol**



### Step 2:

- Loosen the screws on the charging handle so it will move free on the mechanism.

**\*Do not remove them completely**



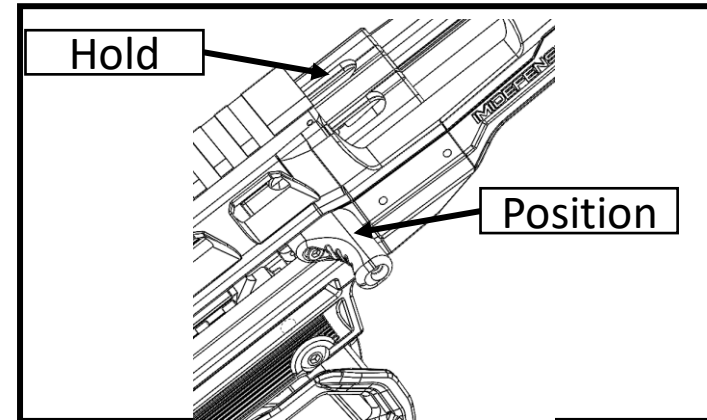
# Kidon® Adjustments



## Step 3:

- Hold the charging mechanism to the back as far as you can.

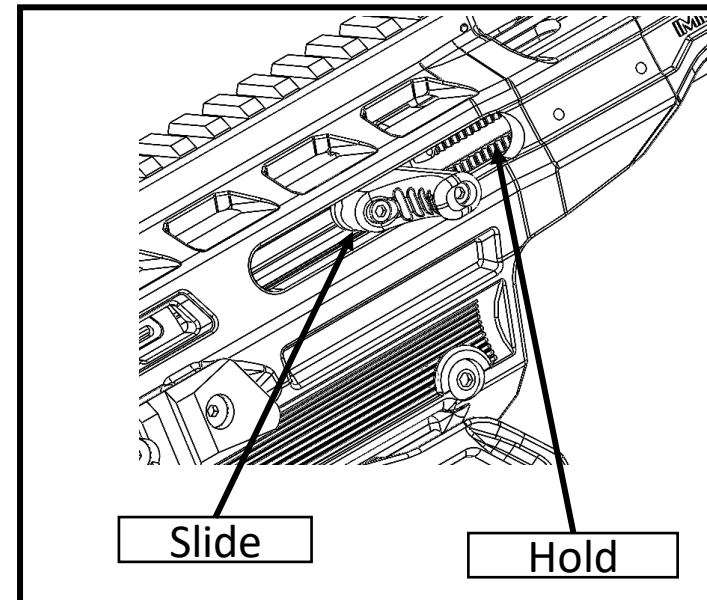
**\*Use Kidon® Tool for assistance.**



## Step 4:

- By holding the mechanism, slide the charging handle and the nut of the front end of the mechanism.

**\* If you can hold it, hold the mechanism until the next step**

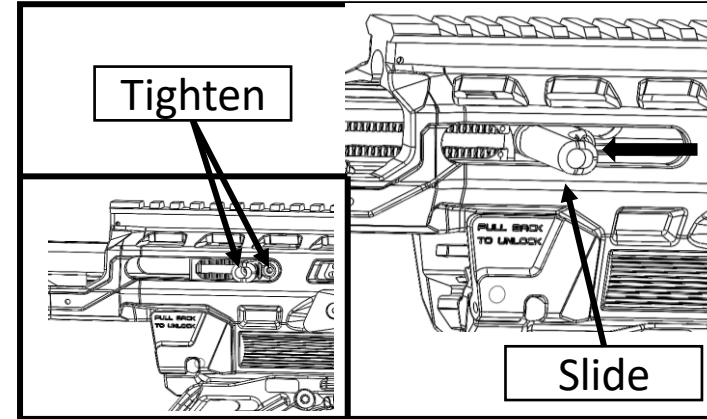


# Kidon® Adjustments



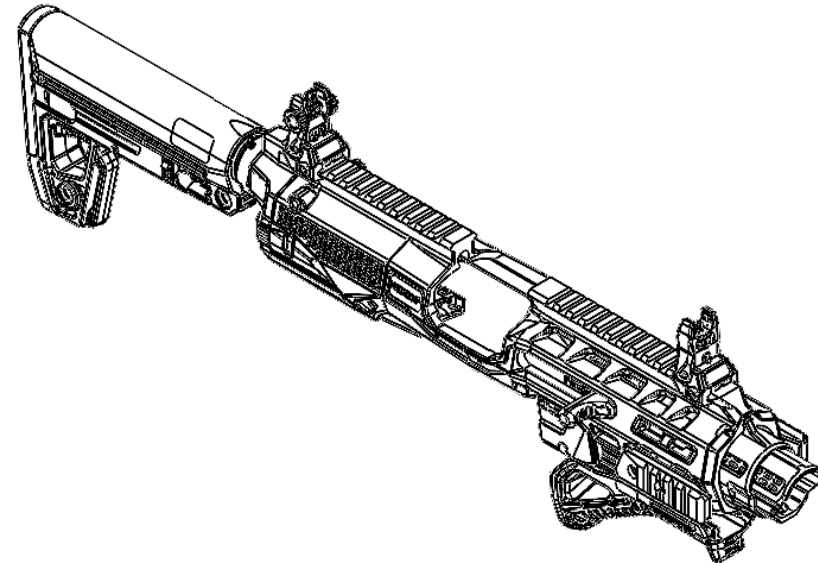
## Step 5:

- Slide the charging handle and the nut through the slot (on the other side)
- Tighten the screws



## Step 6:

- Release the mechanism.
- Check for functionality.
- **See if the slide moves all the way back and locks back in**





**KIDON<sup>®</sup>**  
**SUPPRESSOR FITTING**

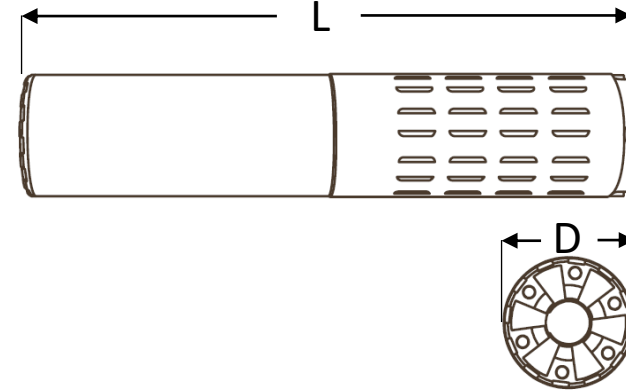
# Kidon® Suppressor Fitting



## Suppressor size:

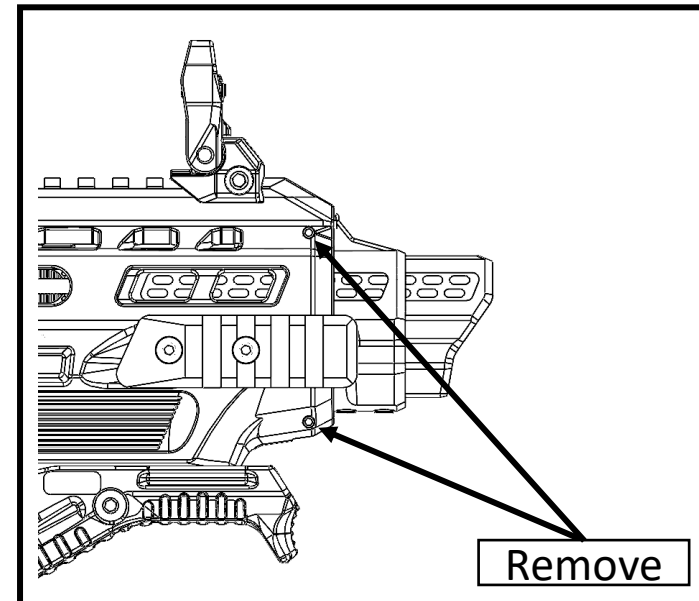
**D= 1" Diameter MAX.**

**L= All sizes.**



## **Step 1:**

- Remove both screws that hold the flash hider assembly.

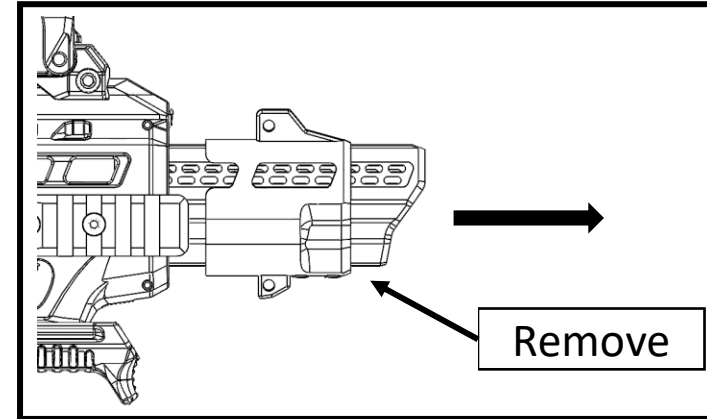


# Kidon® Suppressor Fitting



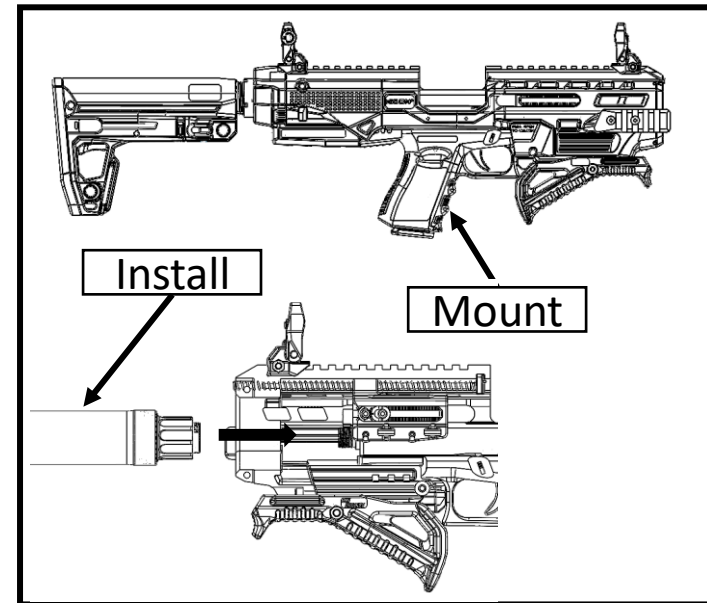
## Step 2:

- Remove the Flash hider assembly completely.
- Now your Kidon® is compatible with a suppressor/silencer



## Step 3:

- Insert the pistol first, lock it according to previous steps.
- After securing the pistol, mount the suppressor/silencer on the threaded barrel of your pistol.

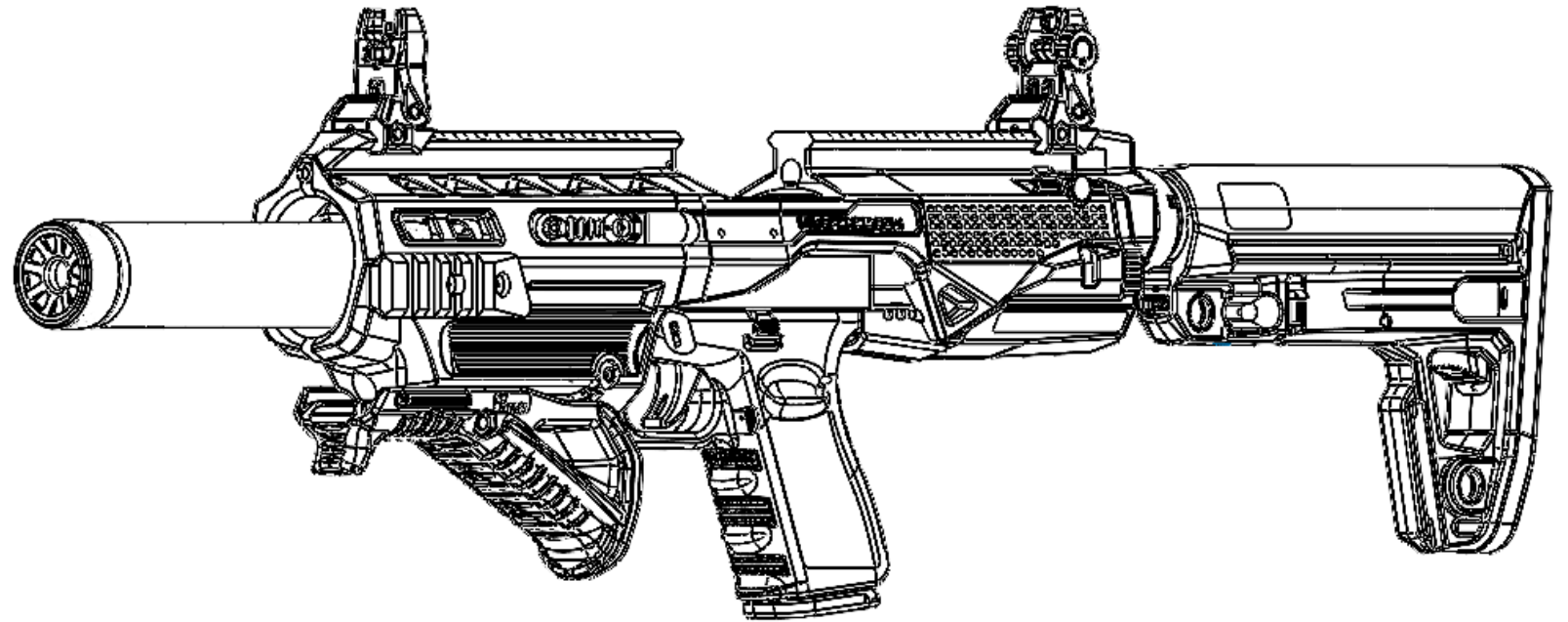


# Kidon® Suppressor Fitting



## Step 4:

- Check for cycling and functionality.





# **KIDON<sup>®</sup> CUSTOMIZATION**



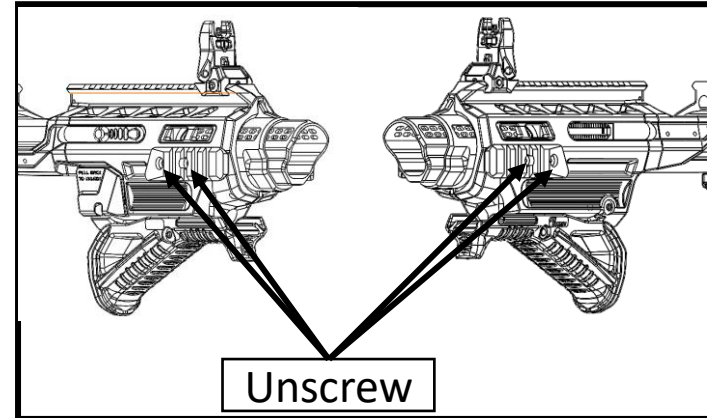
# Kidon® Customization



## Side Rails Removal:

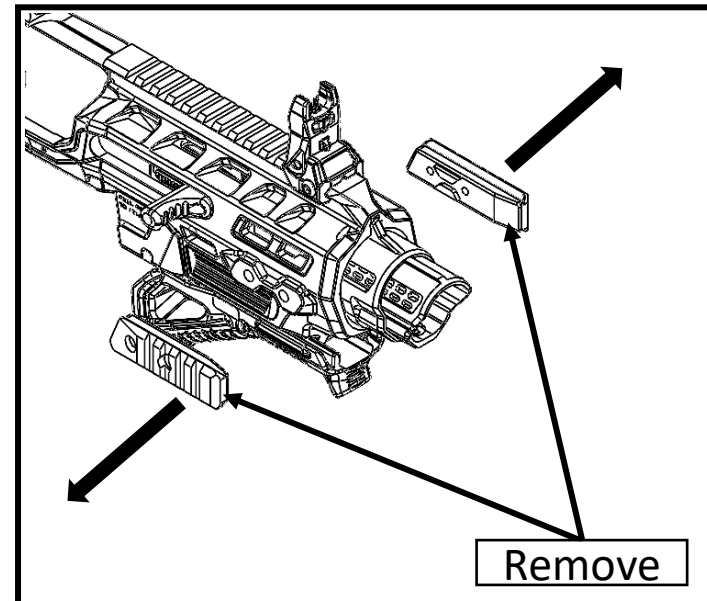
### Step 1:

- Unscrew both screws on both sides which hold the rails.



### Step 2:

- Remove the rails.



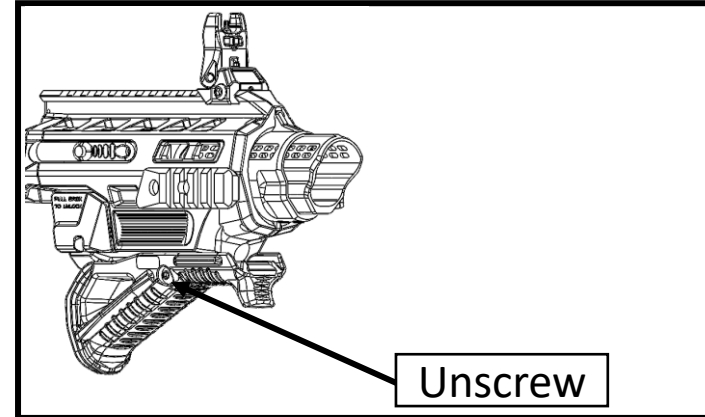
# Kidon® Customization



## Front Support Grip (FSG1) Removal:

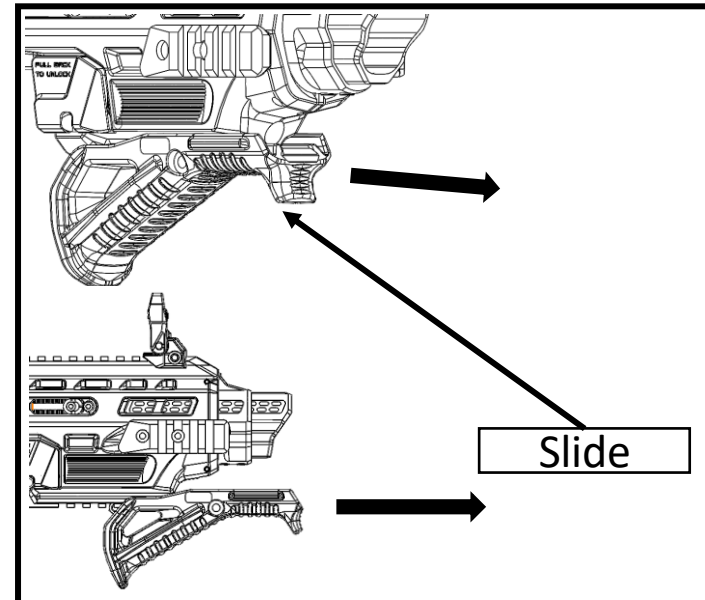
### Step 1:

- Unscrew the screw on the right side that holds the grip.



### Step 2:

- Remove the grip by sliding it forward.



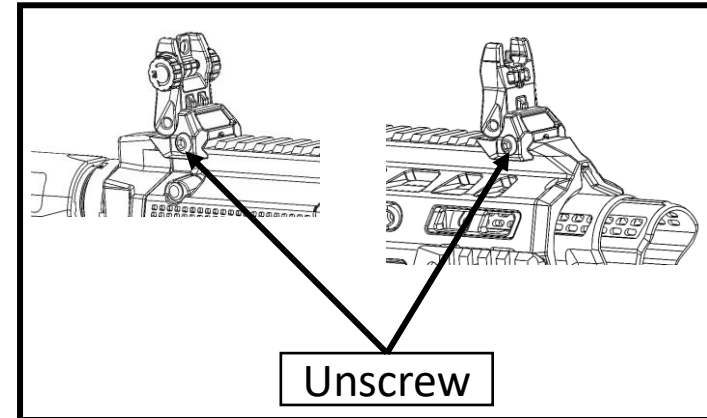
# Kidon® Customization



## TRS/TFS Sights Removal:

### Step 1:

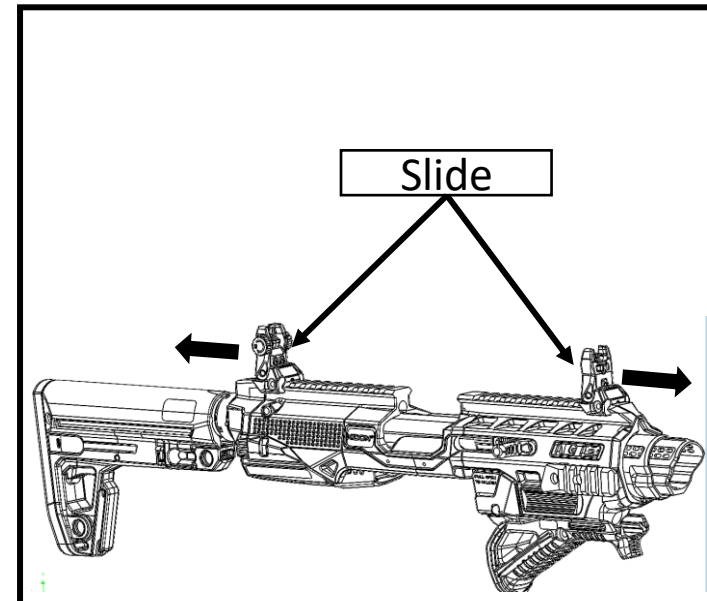
- Unscrew the screws on the rear and front sides that hold the sights. Located on the right side



### Step 2:

- Slide the sights on the rail to remove them. The rear sight –slide to the rear, the front sight slide to the front.

**\*Keep them open, it is easier to remove this way.**



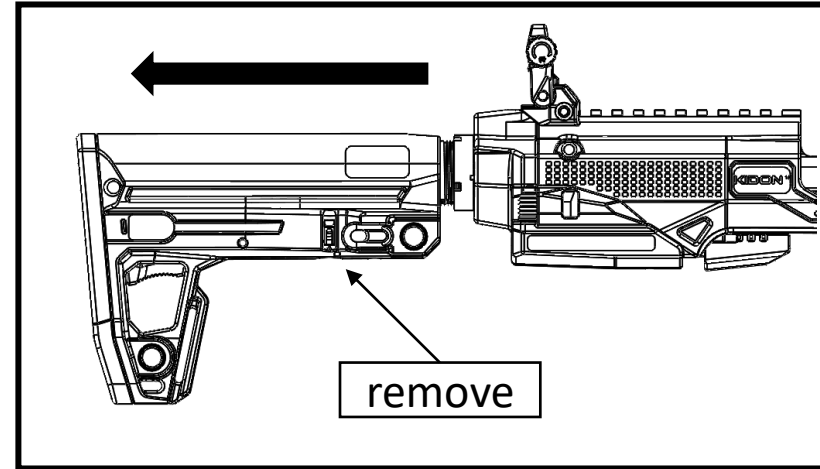
# Kidon® Customization



## Stock /Brace /QD Cap Removal:

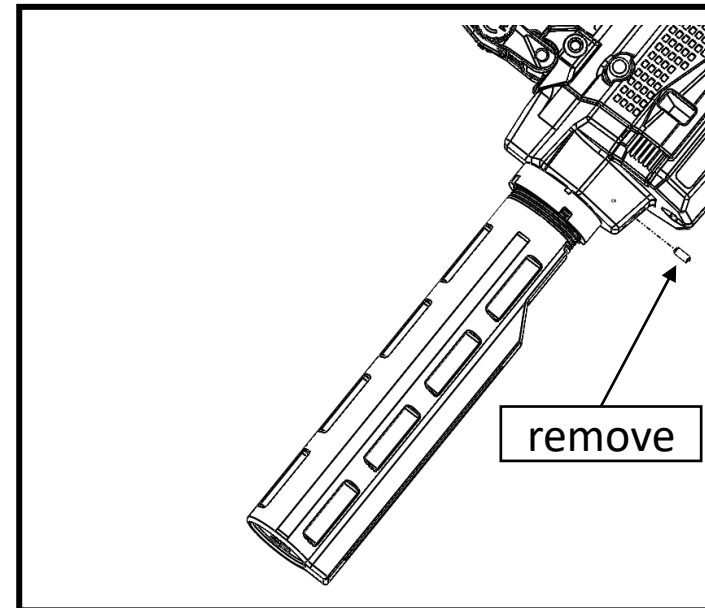
### Step 1:

- Remove the Stock from the tube using a latch or other option on the stock attached.



### Step 2:

- Unscrew the small Allen screw using an Allen tool (not included in the kit).
- **Do not forget to assemble the screw when you install the replacement tube.**

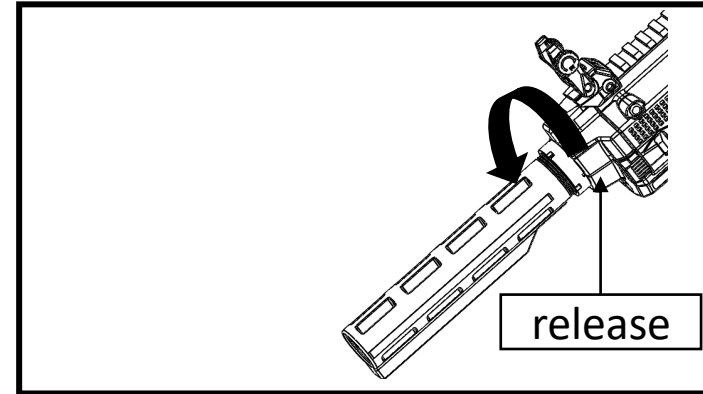


# Kidon® Customization



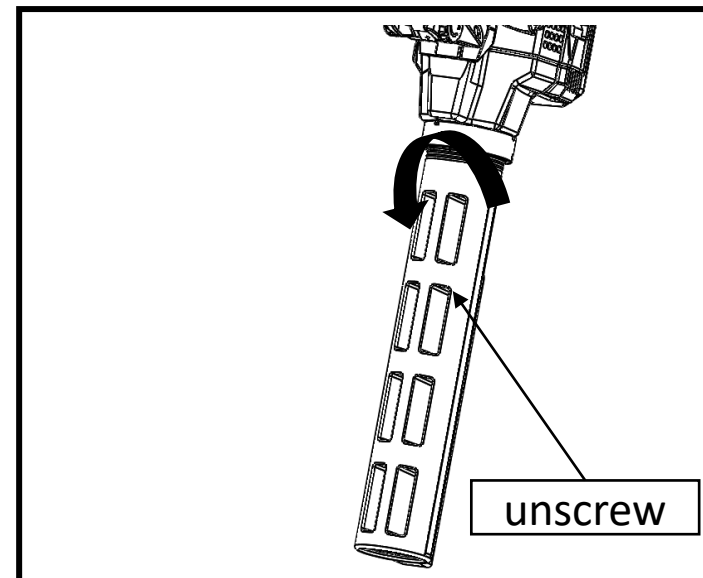
## Step 3:

- Release the Retaining Ring by using an armorer tool – turn the ring clockwise.



## Step 4:

- Unscrew the tube by turning it clockwise.

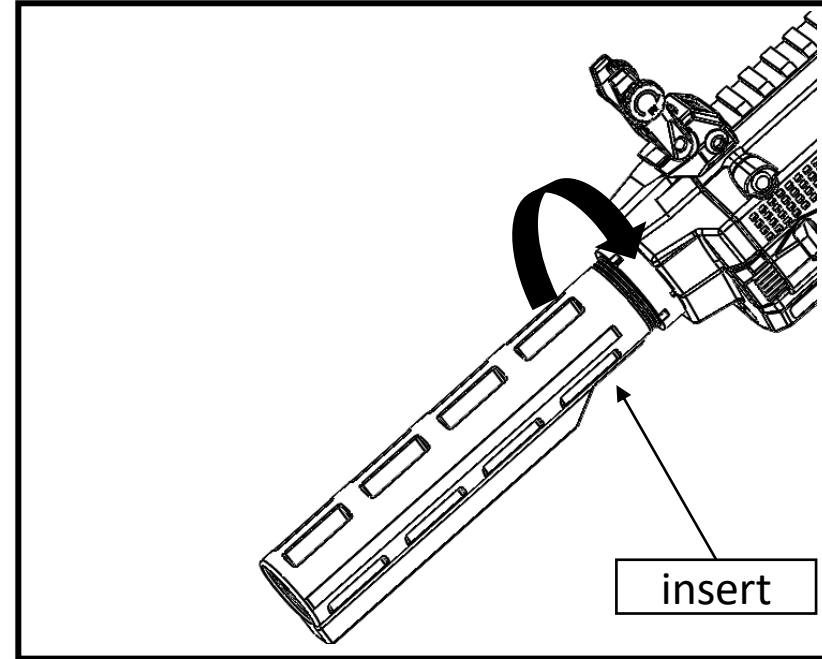


# Kidon® Customization



## Step 5:

- Insert Mil-Spec threaded buffer tube.
- **Assemble the Retaining Ring on the new buffer tube before installing on the rear part of the Kidon.**
- **After assembly and alignment of the rear part of the Kidon insert the screw you removed from Step-2.**



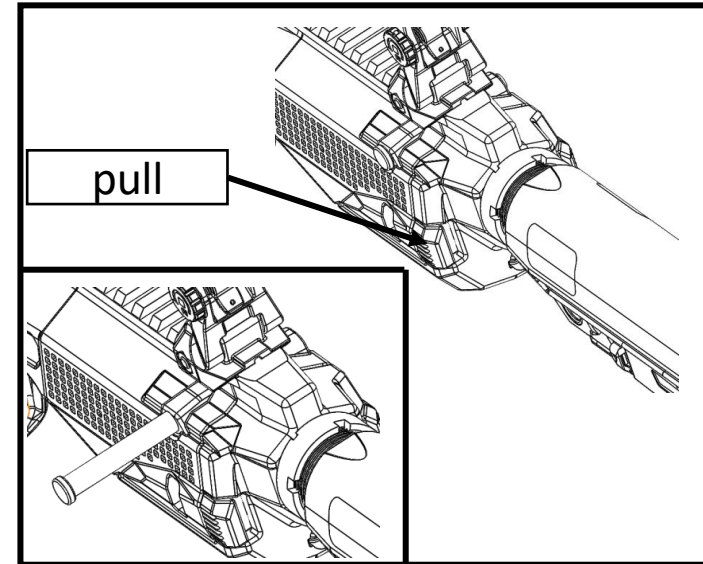
# Kidon® Customization



## Adapter Replacement:

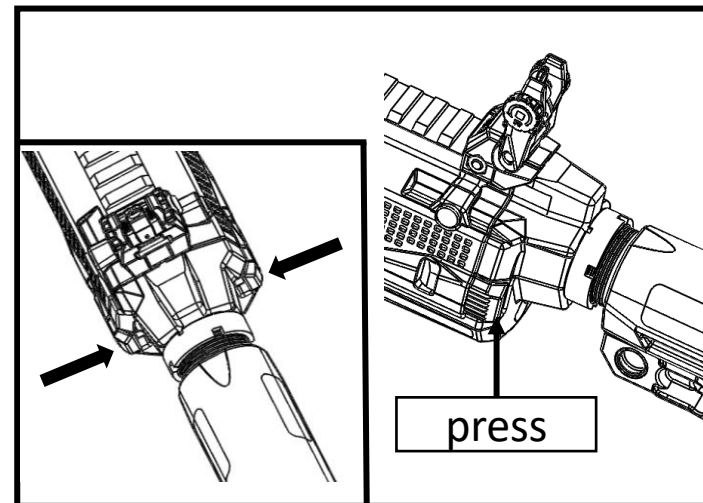
### Step 1:

- Pull out the detain pin on the rear part of the Kidon.
- **Do not use force, press on the Kidon from the stock to release pressure on the pin.**



### Step 2:

- Press on both tabs to release the rear part and disassemble it.
- **Please remember disarming the pistol before removing the rear section.**

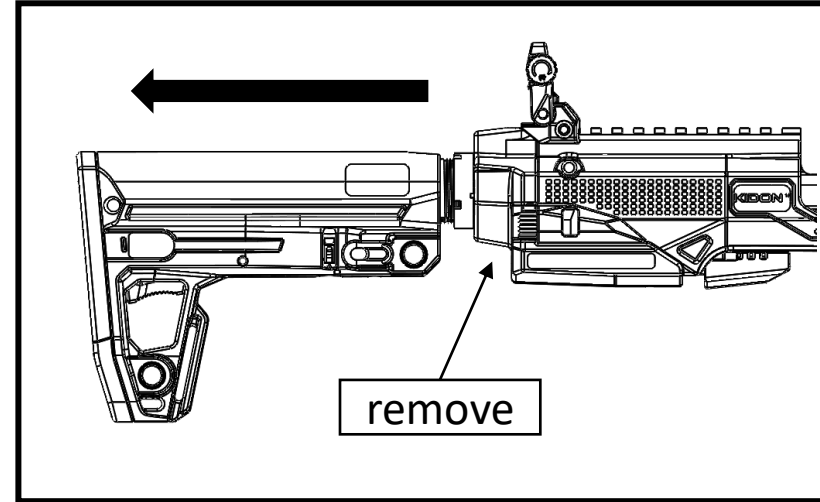


# Kidon® Customization



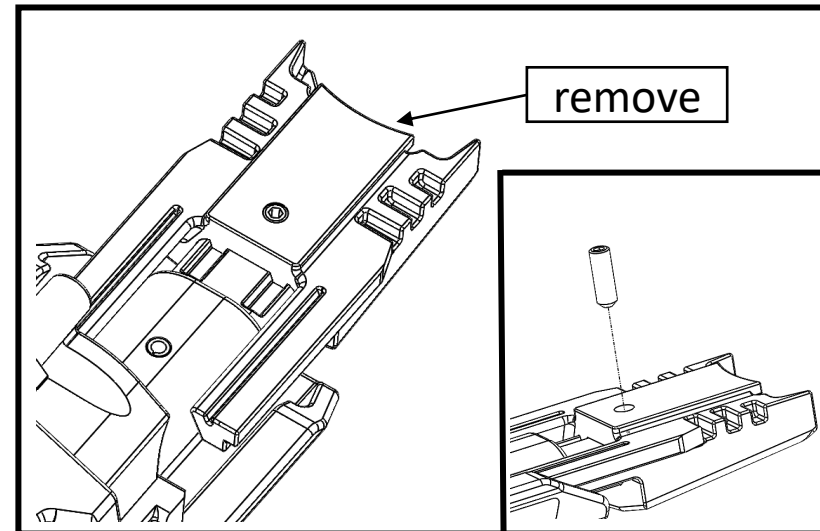
## Step 3:

- Remove the rear part of the Kidon assembly.



## Step 4:

- Unscrew the screw that holds the rear adapter plate.



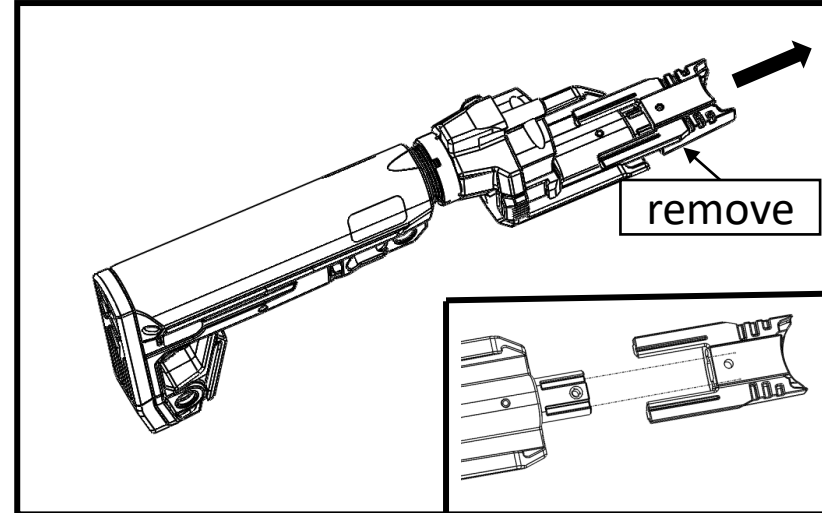




# Kidon® Customization

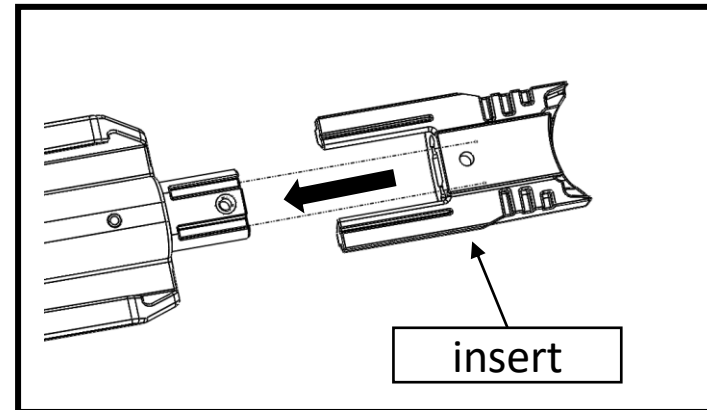
## Step 5:

- Remove carefully the adapter from the rail.



## Step 6:

- Replace the adapter by inserting it on the rail.

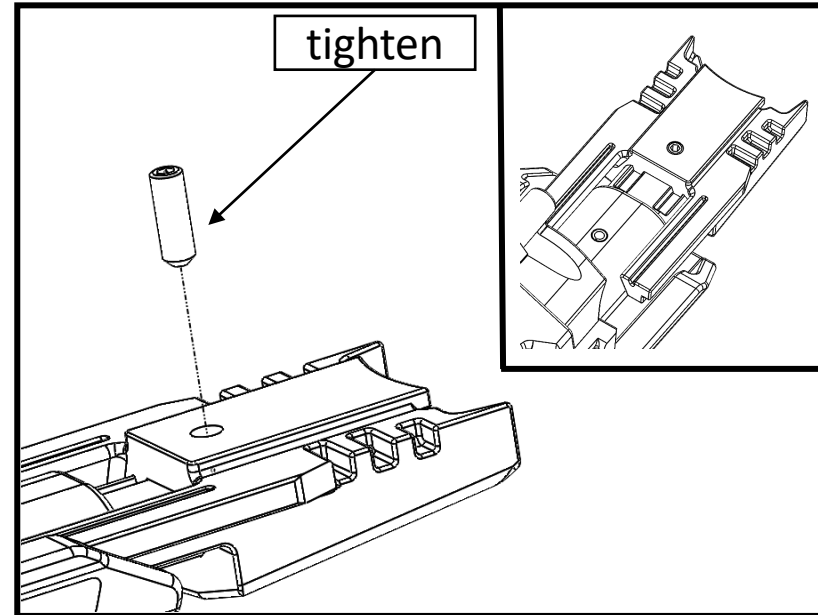


# Kidon® Customization



## Step 7:

- insert the screw that holds the rear adapter plate.





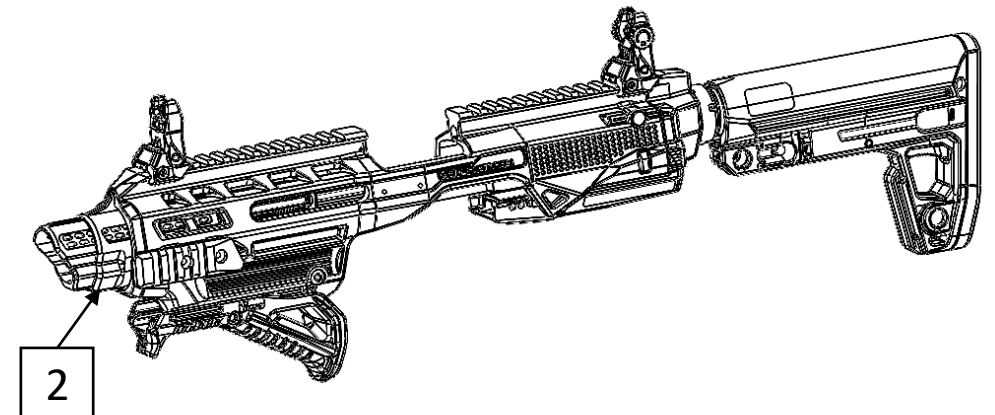
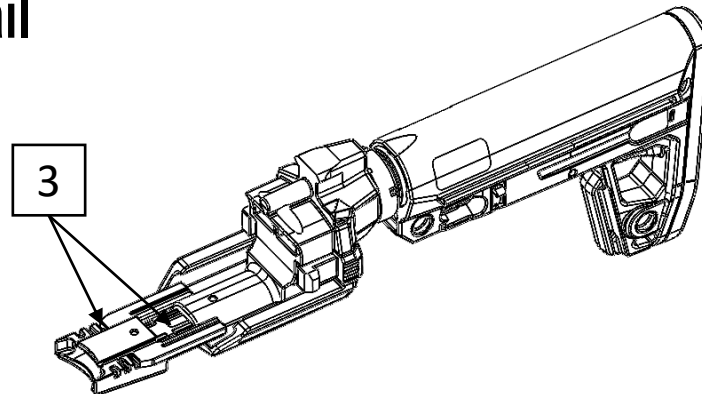
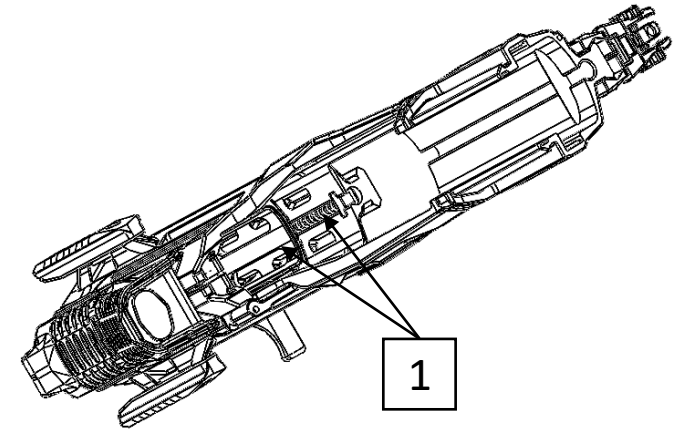
# **KIDON<sup>®</sup> MAINTENANCE**

# Kidon® Maintenance



## Cleaning and Lubricating:

- **Warning: Please remove the pistol prior to cleaning and lubricating!!!**
- Lightly oil the parts after cleaning all moving parts:
  1. Charging mechanism
  2. Flash hider
  3. Rear adapter plate and the adapter rail

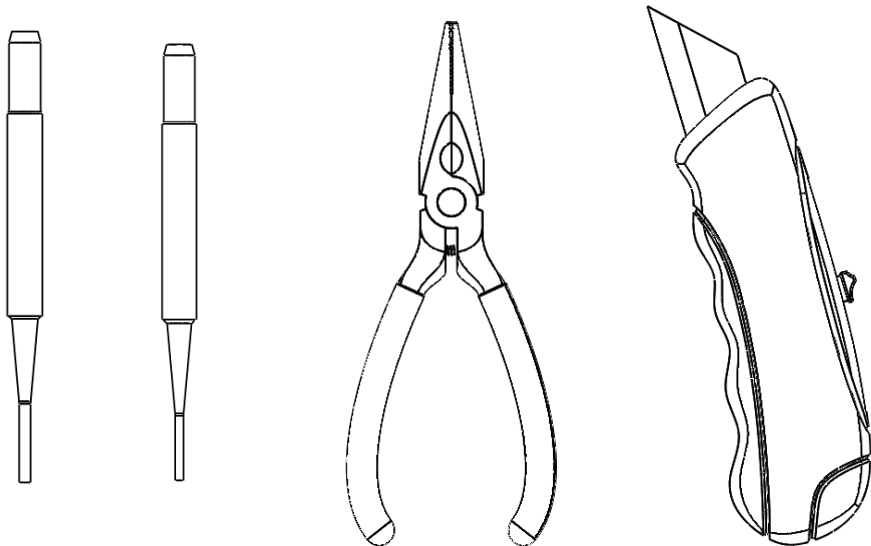


# Kidon® Maintenance

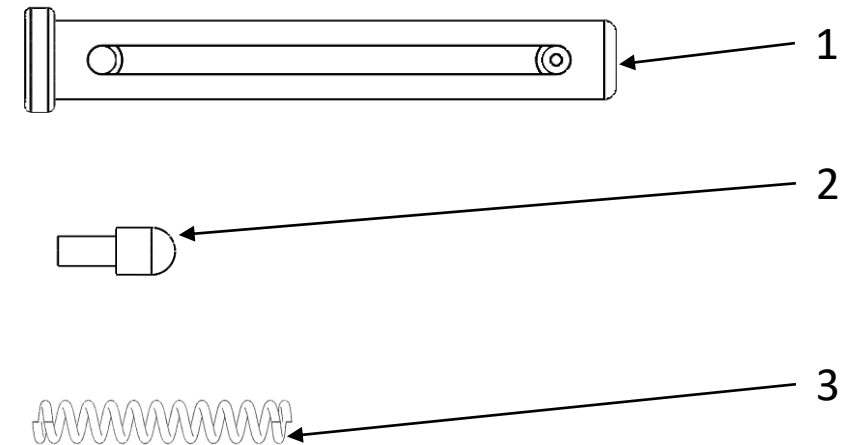


## Detain Pin Replacement:

- 1mm Punch pin.
- 2.5mm Punch pin.
- Long Needle-Nose Pliers.
- Box Cutter flat or another thin flat tool



1. Detain Pin
2. Locking Pin
3. Spring

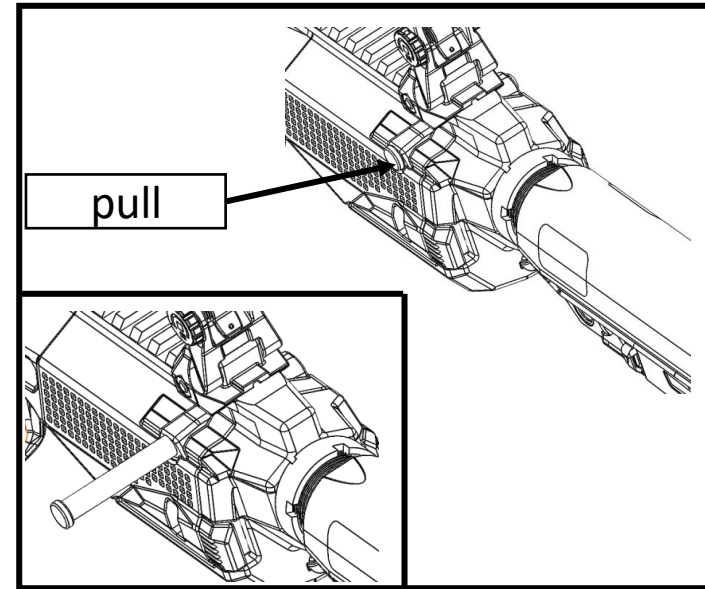


# Kidon® Maintenance



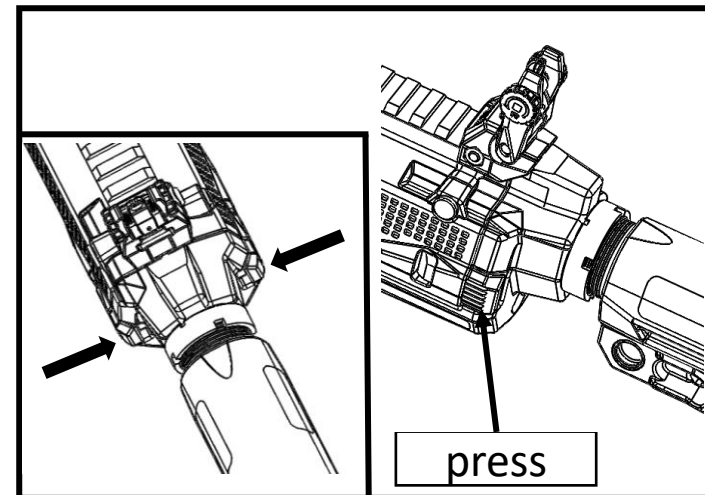
## Step 1:

- Pull out the detain pin on the rear part of the Kidon.
- **Do not use force, press on the Kidon from the stock to release pressure on the pin.**



## Step 2:

- Press on both tabs to release the rear part and disassemble it.
- **Please remember disarming the pistol before removing the rear section.**

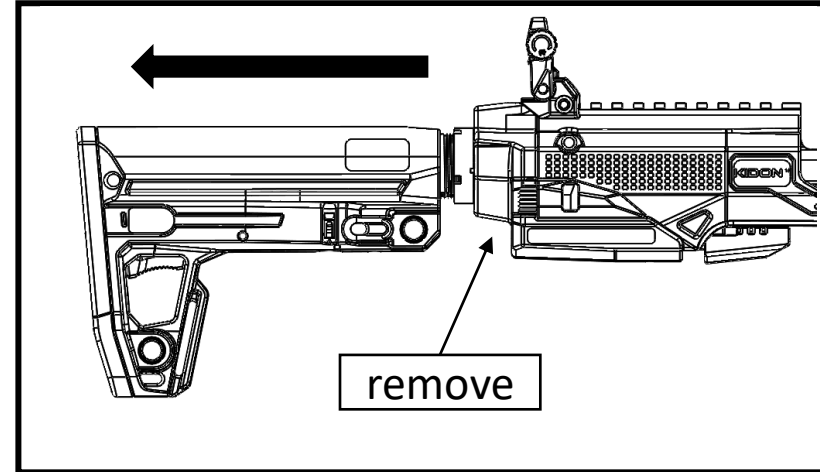


# Kidon® Maintenance



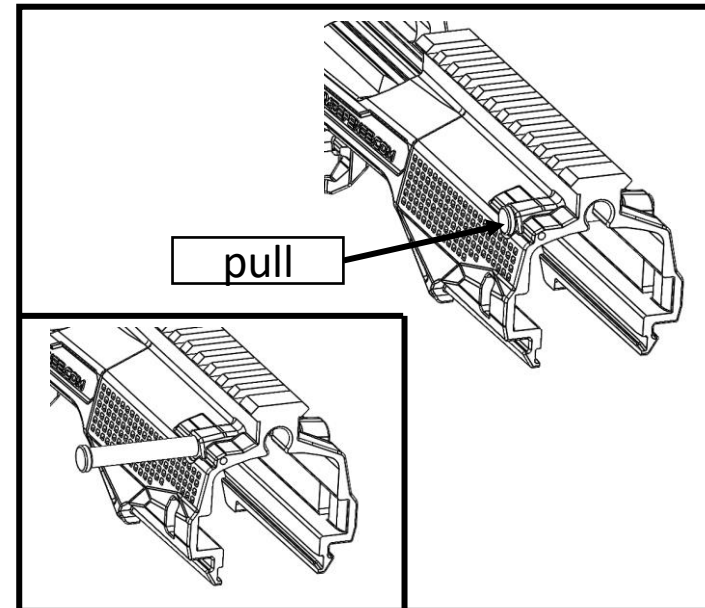
## Step 3:

- Remove the rear part of the Kidon® assembly.



## Step 4:

- Pull the detain pin on the rear part of the Kidon.
- **Do not use force, stop when the pin reaches the end.**

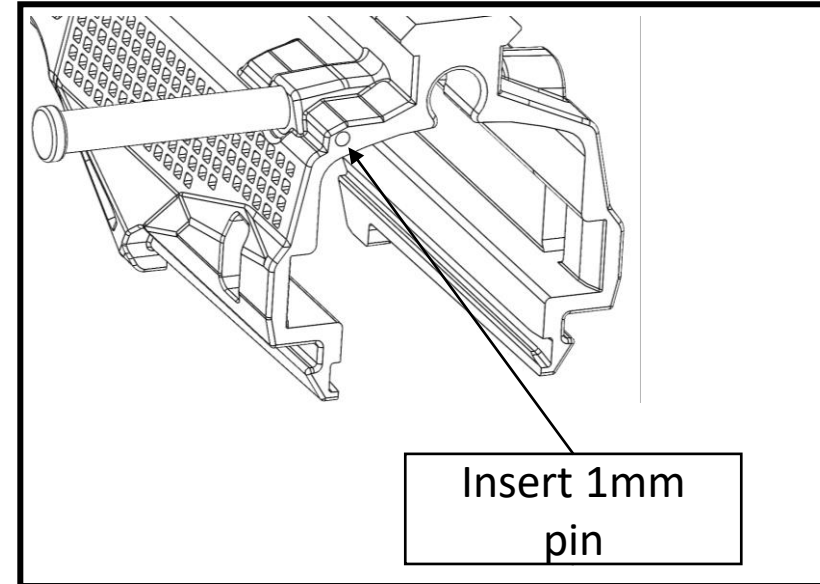


# Kidon® Maintenance



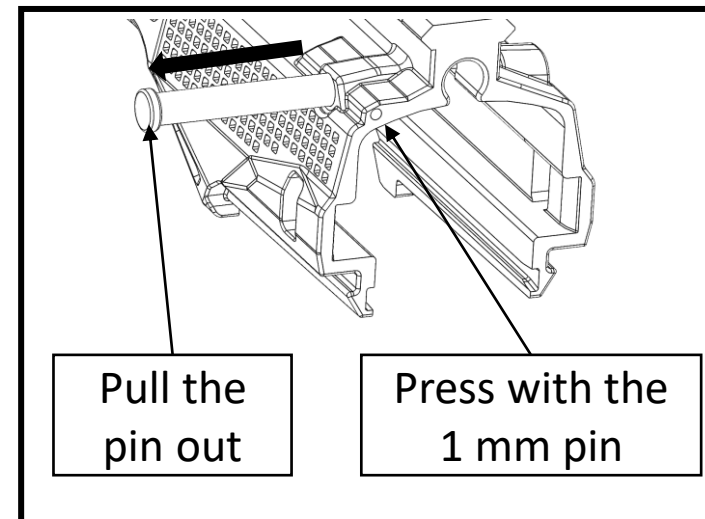
## Step 5:

- Insert 1 mm punch through the Detain pin and press to engage the spring.



## Step 6:

- While pressing (Step 5) pull out the Detain Pin.
- **While pulling the detain pin remove the 1 mm punch (Step 5)**



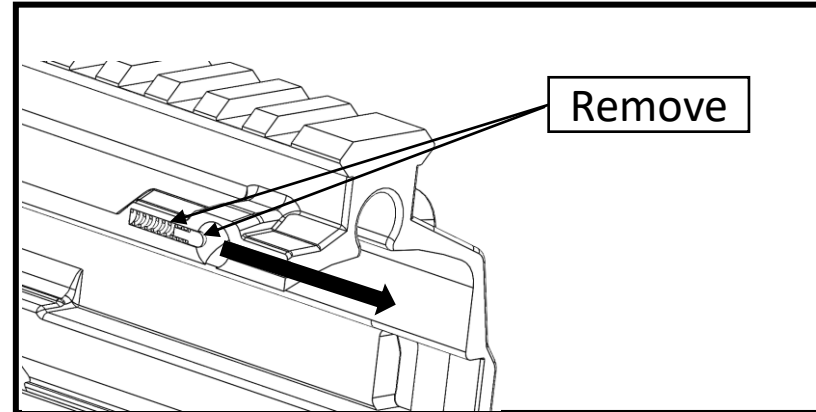


# Kidon® Maintenance



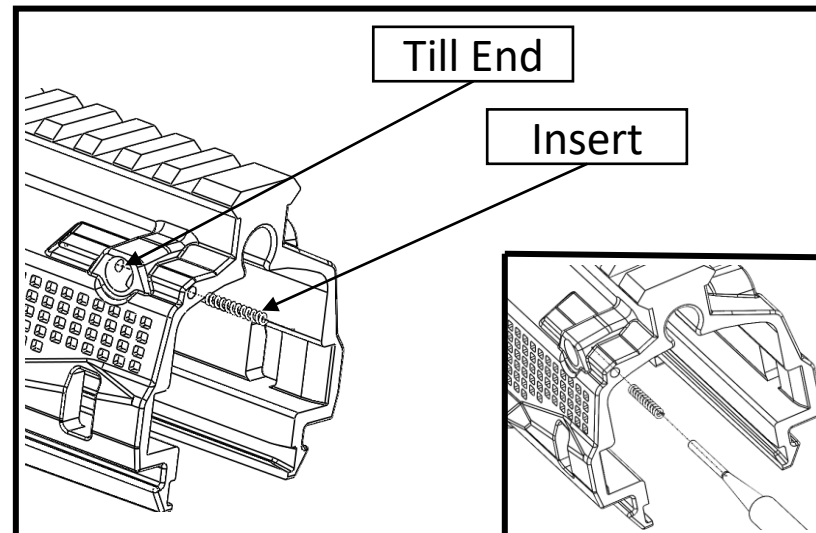
## Step 7:

- Remove the locking pin and the spring.
- **Please do not lose them. If lost contact IMI Defense for support.**



## Step 8:

- Insert the spring using the 2.5mm punch.
- **If necessary, use pliers.**

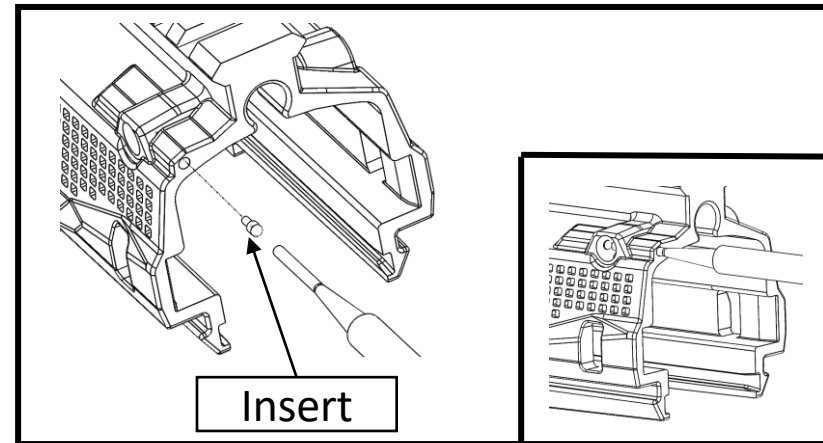


# Kidon® Maintenance



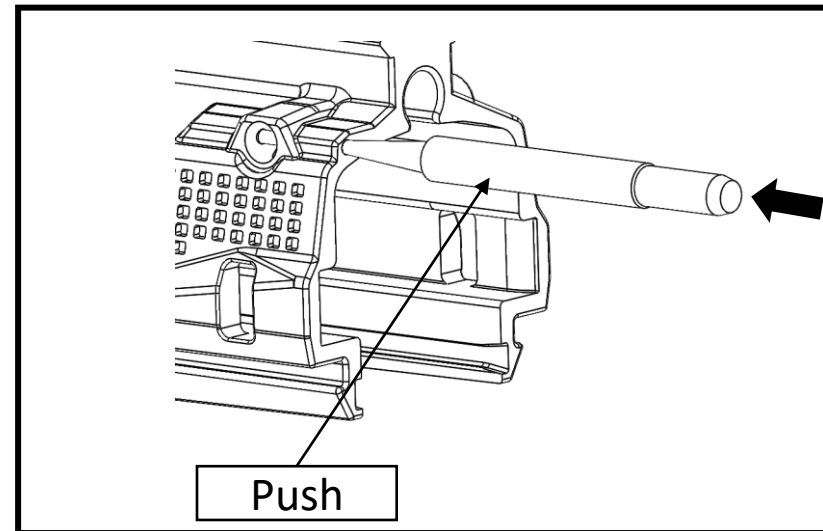
## Step 9:

- Insert the pin using the 2.5mm punch.
- **Use pliers.**
- **Be Careful not to lose the pin.**



## Step 10:

- push the pin using the 2.5mm punch.
- **Hold it until next step.**

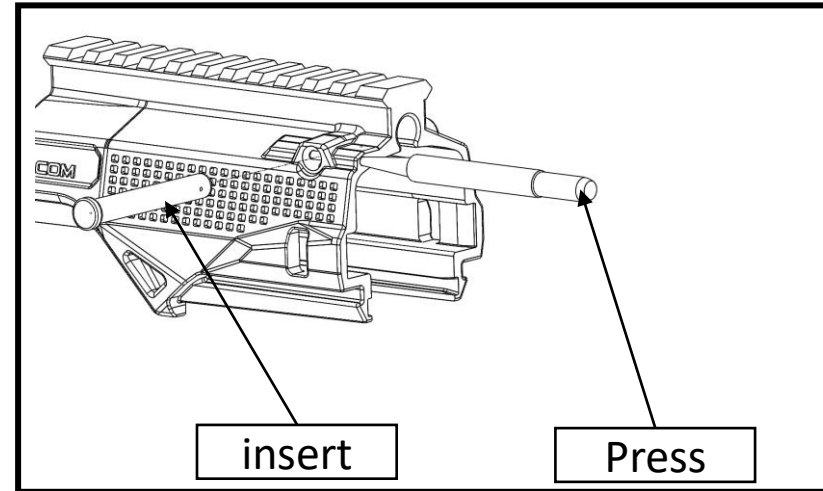


# Kidon® Maintenance



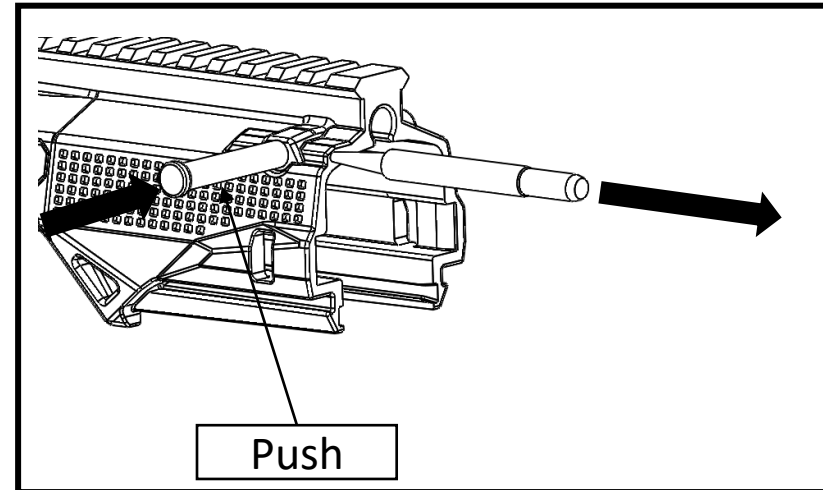
## Step 11:

- Insert the Detain pin while pressing the punch.



## Step 12:

- Push the Detain pin forward.
- **Slowly start pulling the punch out.**

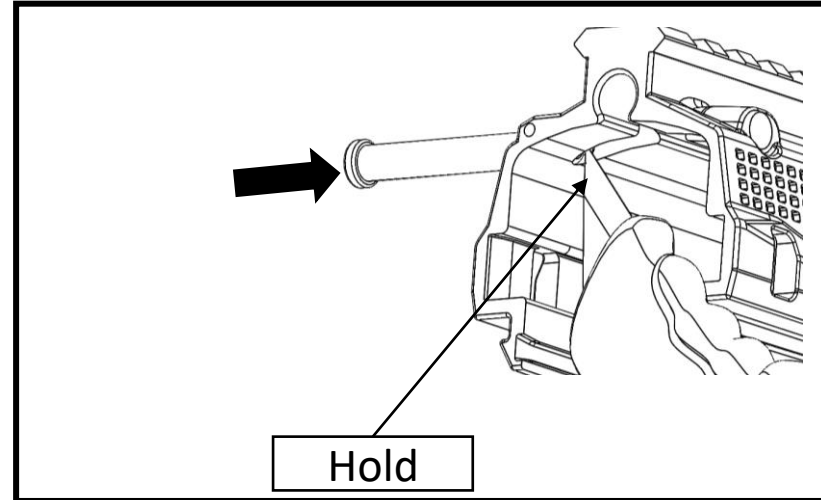


# Kidon® Maintenance



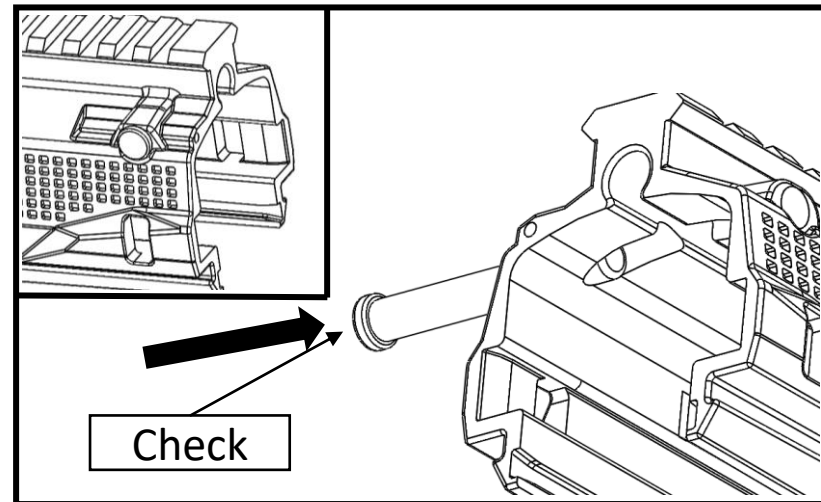
## Step 13 (If Required):

- Hold, with cutter or a thin tool, the lock pin while pressing the Detain Pin inside.



## Step 14:

- Check for functionality.



# FAQ & Troubleshooting



#	Problem	Solution
1	I Can't close the rear section of the Kidon®.	Make sure the rear tension screw is loosen & that the pistol sits all the way and touching the kit with the trigger guard. Follow <b>Pistol Installation &amp; Kidon Adjustments</b> instructions.
2	My slide wont lock after I closed the rear section of the Kidon®.	The reason for that is the charging handle and the flash hider are not in position according to the barrel length, go to <b>Kidon® Adjustments</b> and move them in to position.
3	My pistol does not “stay” on the rear adapter plate, the pistol “jumps” each time that I shoot.	The rear adapter plate is not adjusted enough, please tighten the rear screw for better grip of the bever tail. See <b>Kidon® Adjustments</b> .
4	I can't load my pistol (slide does not move all the way back).	The charging handle located too far from the end of the slide and does not allow the slide to move a full cycle. See <b>Kidon® Adjustments</b> and move the charging handle closer to the slide.
5	Can I use a Suppressor/Silencer with the Kidon®?	For now, the only pistols that are compatible with a suppressor are Glock, S&W M&P. For additional information please contact us at <a href="http://www.imidefense.com">www.imidefense.com</a> .
6	Does the Kidon® compatible with a brace?	Yes, the Kidon® kit that is distributed in the U.S, comes with a QD Cap that can be removed and any tube with a Mil-Spec thread (same as an AR-15 lower) can be mounted instead.
7	I have lost the detain pin, what can I do?	Please contact us at <a href="http://www.imidefense.com">www.imidefense.com</a> , you can also buy the repair kit directly on our online shop (located on the Kidon® page) , see chapter for <b>Changing the Detain Pin</b> .
8	My pistol is not on the list of compatible firearms with the Kidon®.	Please contact us at <a href="http://www.imidefense.com">www.imidefense.com</a> . Do not attempt to install the pistol on your own.

For any other questions please contact us:  
- [www.imidefense.com](http://www.imidefense.com) – in the contact section.  
- [Marketing@imidefense.com](mailto:Marketing@imidefense.com) - for direct contact.

